

ANEMOMETER PROBE

ANEMO4403 V3



Wide range of measurement, up to 200km / h

Great mechanical resistance

High flexibility in the face of blows

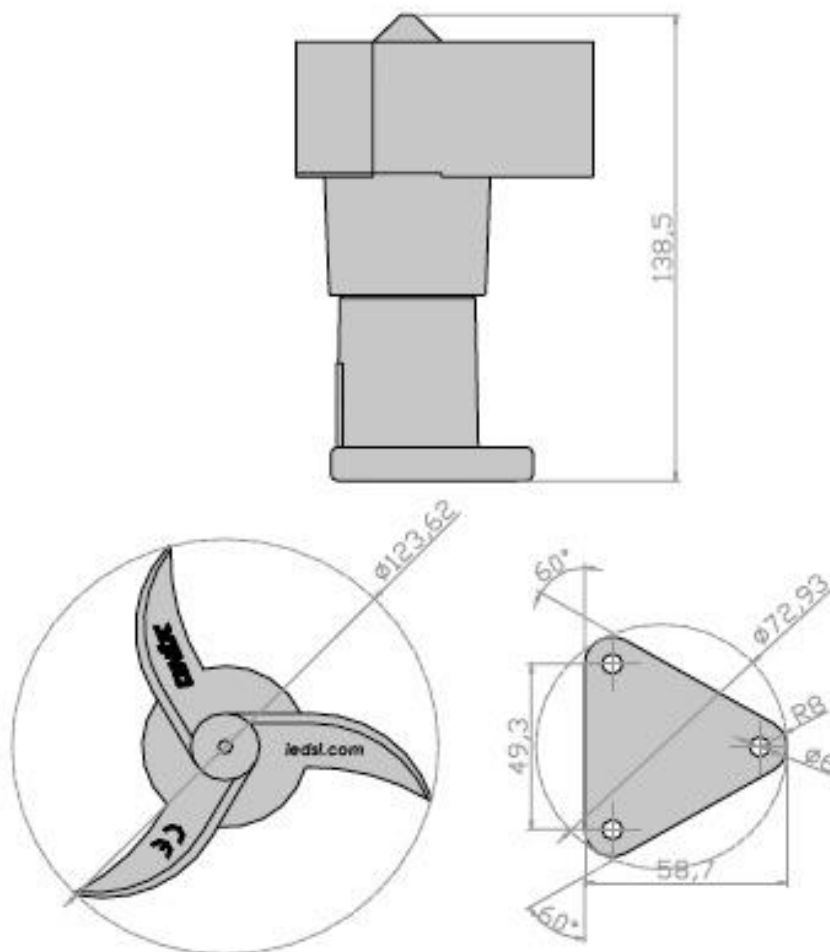
Resolution greater than 1km / h

DESCRIPTION

Robustly manufactured wind detector, high mechanical resistance and great flexibility capable of competing or even exceeding in quality the best plastic or metal detectors on the market. Its design allows the introduction of electronic elements inside for additional benefits. The bearings, made of stainless steel, are lubricated with instrumentation oil.

The output of the ANEMO4403 V3 is a pulse output proportional to the wind speed given by a reed contact. In this way, the power supply can be reduced to just enough to detect the opening and closing of the contact, thus reducing the consumption of the equipment.

The ANEMO4403 is designed in such a way that it can be adapted to any system where it is necessary to know the wind speed, such as safety of construction cranes, greenhouses or wind turbines

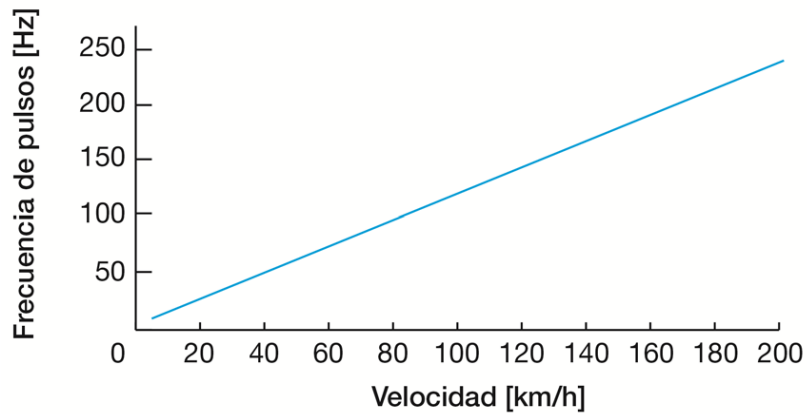


INPUTS / OUTPUTS

Supports wind speeds of up to 200Km / h. The output is a potential free contact with a series resistor that opens and closes at a frequency directly proportional to the wind speed.

WIND SPEED RATIO - OUTPUT

This ratio results from multiplying the wind speed in km / h by 1.05 to obtain the output in Hertz (pulses in one second). With a wind speed of 0 km / h the output is 0 Hz A wind speed of 100 km / h gives an output of 105 Hz.



TECHNICAL CHARACTERISTICS	
ACCURACY	From 3 to 15 km/h : 1 Km/h From 15 To 180 km : 3% Operating range : de 3 à 180 Km/h Maximum Speed : 200 Km/h
OUTPUT TYPE	REED (Dry contact)
POWER SUPPLY	3 à 24 VDC (Max 24 mA)
CABLE LENGTH	2,5 m
DIMENSIONS / WEIGHT	125 mm x 139 mm / 130g
TEMPERATURE	De -20°C to 80°C
COLORS OF WIRES	RED : Power supply YELLOW : output BLACK : GND (Ground)
Standard	IP65 EN 61000-6-2 :2001 EN 55022:2001 Class B